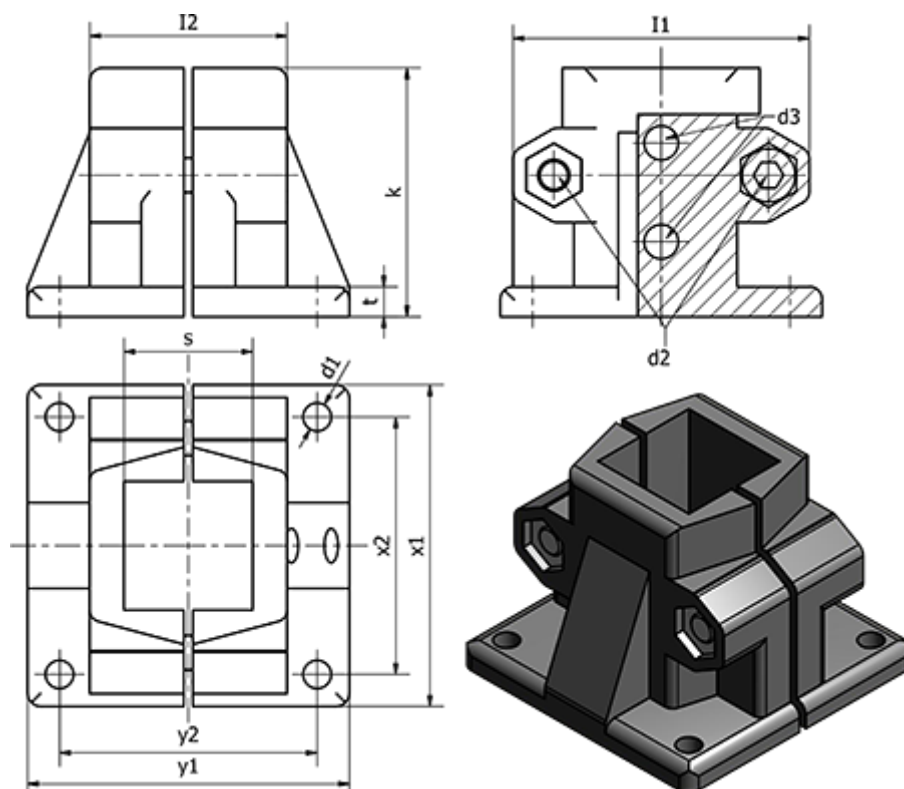


Article number: 201651V302SW

Description: E+G Tube connector - GN 165.1-V30-2-SW

Measures



Clamping kit for d2 = GN 911-M8-32

d1 = 6.5
 d2 = M8
 d3 = M4
 l1 = 69
 l2 = 46
 k = 58
 s = V30

t = 7
 Weight (g) = 270
 x1 = 75
 x2 = 60
 y1 = 75
 y2 = 60